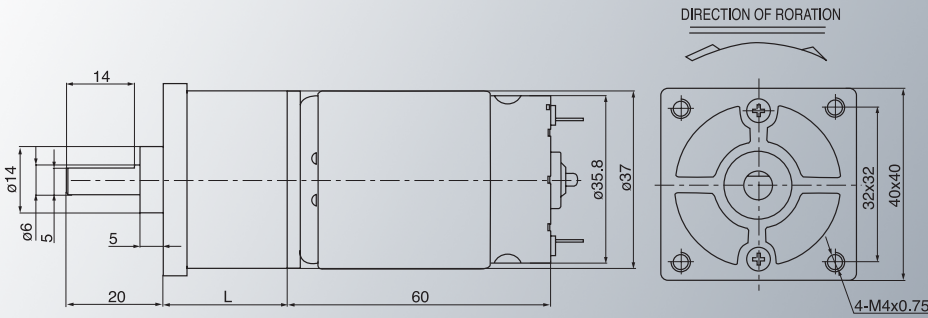


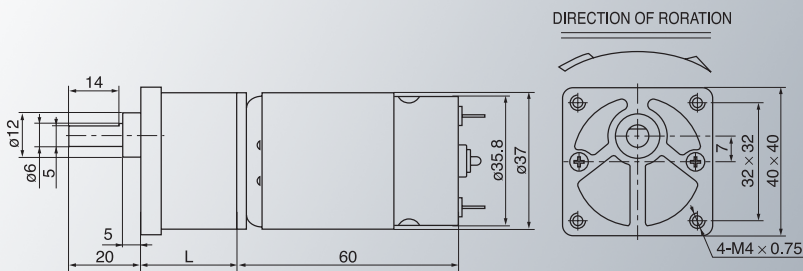
ZGA37FH



■技术参数 Technical Data

电压 Voltage(VDC)	12V	12V	12V	12V	12V	24V	24V	24V	24V	24V
马达型号 Motor Model	30H	37H	53H	37H	53H	37H	37H	53H	37H	53H
减速比 Reduction Ratio	1/308	1/139	1/139	1/60	1/26	1/308	1/139	1/139	1/60	1/26
齿轮箱长度 Gearbox Length(mm)	32.5	29.5	29.5	26.5	24.5	32.5	29.5	29.5	26.5	24.5
空载转速 No-Load Speed(Rpm)	10	25	40	60	200	10	25	40	60	200
额定转速 Rated Speed(Rpm)	7	17.5	28	42	140	7	17.5	28	42	140
额定力矩 Rated Torque(Kg.cm)	15	15	15	5.8	4.3	15	15	15	10.7	8.9
额定电流 Rated Current(Amp)	1.4	1.4	2.1	1.4	2.1	0.85	0.93	1.48	0.93	1.48

ZGB37FH



■技术参数 Technical Data

电压 Voltage(VDC)	12V	12V	12V	12V	24V	24V	24V	24V	24V
马达型号 Motor Model	37H	37H	37H	53H	37H	60H	37H	43H	43H
减速比 Reduction Ratio	1/417	1/242	1/162	1/104	1/417	1/437	1/162	1/80	1/63
齿轮箱长度 Gearbox Length(mm)	32.5	32.5	29.5	29.5	32.5	32.5	29.5	29.5	29.5
空载转速 No-Load Speed(Rpm)	8	15	20	50	8	13	20	50	64
额定转速 Rated Speed(Rpm)	5.6	10.7	15	35	5.6	9.1	15	35	44.8
额定力矩 Rated Torque(Kg.cm)	15	15	14.5	15	15	15	15	15.47	9.3
额定电流 Rated Current(Amp)	1.4	1.4	1.4	2.1	0.93	2.5	0.93	0.925	1.48

★备注: 1.若需要其它规格, 敬请来电联系 2.如若我司以上规格产生变动, 请恕不再另行通知。

Remark: 1.If any specifications else you required are not listed above, Please contact us 2.The specifications are subject to change without notice.